

# GO

PROVET takes you to where you want to be...

# SNOOZE!

**We understand your business because we are owned by veterinarians.**

Years of service and support to an ever-growing client base means we have identified best practice procedures and established industry leading benchmarks to ensure commercial success for today's practicing veterinarian.

Our Instruments and Equipment division supplies a full range of quality products to compliment your busy practice. We specialize in start-up practices ensuring a smooth transition. Our staff is trained to offer advice on all aspects of use and maintenance, repairs and evaluation of equipment and instruments. We also have an extensive range of hire equipment and if you're looking for something unusual we can find it or custom make it for you.

**For more information on how we can take you to where you want to be... call (02) 4955 4488, send an email to [ievms@provet.com.au](mailto:ievms@provet.com.au) or visit [www.provet.com.au](http://www.provet.com.au)**



Partners  
in Practice



# Instruments & Equipment

## INFUSION PUMP

### Provet Niki V4 Infusion Pump

**Niki V4 volumetric infusion pump uses standard Baxter I/V giving sets. Compact, lightweight, programmable infusion pump suitable for delivery of fluids, including whole blood, total parenteral nutrition (TPN) and intravenous fluid therapy.**

- Highly accurate fluid delivery over more than 24 hours using the same administration set section.
- Uses standard giving set (calibration for Baxter, Abbot and McGaw. Others will work but you will need to check calibration of flow rates).
- Mounts to an I/V pole with integral mount at rear.
- Linear peristaltic pump mechanism.
- Macro and Micro infusion capability.
- Ultrasonic air in line sensor.
- Battery and mains operation.
- Battery operation at 125ml/hr is 16 hours.
- Automatic battery charging when on mains power.
- "Locking Option" allows user to lock out the setting keys when necessary.
- **Alarms include:** Air In Line, Door Open, Priming, Volume to be infused complete, Occlusion, Bad parameters set, Low battery, Flat battery, Mechanical or electrical problem, Unprimed giving set detected, Unsuitable giving set detected, Lock mode.
- **Micro flow rate** – 0.1 to 99.9ml/hr in 0.1 increments.
- **Macro flow rate** – 1 to 999ml.hr in 1 ml increments.
- **Total infusable volume** – Micro – 0.1 to 2.599ml.
- **Macro** – 1 to 9,999ml.
- Accuracy +/- 5%.
- **Keep vein open rate** – 0.1 to 5ml/hr.
- **P-10 multi program** – design a step by step auto program with each step starting after completion of the last. Up to 10 programs can be set within the following parameters – rate: 1 – 999ml/hr, and total Volume to be infused 1 – 9999ml. Allows you to give rapid fluids then KVO rate, then subsequent rates, for example.
- **TPN EASY program** – with built in 1 hour up and 1 hour down ramping. You enter only the Total Volume and Total Time, the pump calculates the rate.
- **PIGY program** – requires a dual inlet Alfred giving set which is automatically detected by the pump. Allows setup on a repeating basis eg 5ml/hour then 100ml/hour every 4 hours from the secondary bag.
- This is a small, lightweight and immensely powerful pump, as well as using standard administration sets.



**PROVET CODE:** PROV I P  
**ADMIN SET – PROVET CODE:** ADMI P 01

# Instruments & Equipment

VETARIO

## The best intensive care for your patients

Critically ill animals and birds need a safe, warm enclosure to protect them from hypothermia and shock for the fasted recovery. The Vetario S10 and S20 provide the ideal intensive care environment to give your patients the best possible chance of recovery.

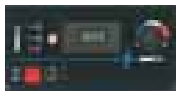
### Typical applications:

- Peri-operative care.
- Recovery unit for orphaned or injured animals.
- Intensive care unit for breeders

The Vetario S10 and S20 are robust, reliable and easy to use. They can be quickly set up for emergency cases and packed with practical, space-saving features like the sliding door and ability to stack on top of each other.

The two models differ in size – the S10 has an internal floor 370mm round and the S20 has a floor 680mm x 430mm round making it large enough for a queen and her litter or a small to medium sized dog. The other difference is that the S20 also includes a sturdy removable wire door to ensure larger and stronger animals are safely contained.

### Primary Function



Both models provide a safe, warm and hygienic chamber. Heating is held

constant by an advanced proportional band controller and the actual temperature in the enclosure is digitally displayed. Air is gently fan circulated through a dust filter to ensure sufficient filtered fresh air and even temperature. The Omnitherm heater is mounted behind the inner wall and warms almost the whole internal surface to avoid hot or cold spots. The air circulation system maintains

slight positive pressure in the chamber and expels air from around the door to inhibit bacteria reaching the patient. A water reservoir can be used to reduce the risk of patients dehydrating during treatment. Observation of patients is aided by a low power internal light which safely illuminates the chamber interior from behind the translucent ceiling.

### Useful additional facilities



Drugs can be conveniently administered to the patient using the supplied medicine reservoir for connection to your nebuliser. A separate oxygen connection is also fitted.



# Instruments & Equipment

## VETARIO – CONT'D

Warning of temperature fluctuations or power failure is an optional extra if the Vetario T20 temperature alarm is connected to the S10 or S20. The T20 can, in turn be connected to Vetario's phone dialer which will phone up to 5 numbers to warn of temperature variation within the intensive care chamber providing you and your clients with peace of mind.

### Functional Practicality

Busy vet practices need equipment to be space efficient, easily cleaned, durable and quick to set up with the minimum of training. The S10 and S20 models meet these requirements through sensible but innovative design. The doors slide around the back of the cabinets to save space, the controls are logically laid out and labeled, the units are light in weight and have carrying handles, they are stackable – sockets in the top of one cabinet locate the feet from the one above. The internal floor is fitted with a semi-rigid plastic liner which can be removed for cleaning. The rest of the interior is free of obstructions and easily wiped clean. An inverter is available as an optional extra allowing the S10 or S20 to be powered by 12v DC supply as well as mains which means the intensive care unit can work in a car or van.

### Reliability

Over 25 years of experience in designing and building egg incubators is applied to the S10 and S20 and rigorous testing and manufacturing to ISO9000 (2000) Quality Assurance standards the S10 and S20 come with a free 2 year guarantee.

### Guarantee

The Vetario S10 and S20 are fully guaranteed and will be repaired or replaced if a fault should arise within the guarantee period (see terms of guarantee).

Manufactured by Brinsea Products Ltd, Somerset UK

**Available through your local Provet branch**  
[www.provet.com.au](http://www.provet.com.au)

**PROVET CODE (MONITOR):** INTE C U

## SPECIFICATIONS

### External Dimensions:

S10 475mm high x 450 dia.

S20 600mm high x 760mm wide x 510mm deep

### Internal Dimensions: Floor

S10 370mm dia

S20 470mm high x 680 wide x 430mm deep

### Internal Dimensions: Minimum height

S10 345mm

S20 450mm

### Weight:

S10 5.5kg

S20 10kg

### Materials:

- Top and Bottom mouldings, Structural, insulated Polyurethane foam.
- Curved Sides Twin skinned ABS
- Clear Door 'Plexiglas' type scratch resistant acrylic (S10)
- Flexible PETG clear plastic with extruded handles (S20)
- Wire Door M3 chrome plated steel (S20 only)

### Electrical Supply:

- 230v, 50Hz Inverter allowing mains unit to run from 12v dc as an optional extra.

### Power Consumption:

- S10 Max 120 Watts  
Typically average 60 Watts
- S20 Max 200 Watts  
Typically average 100 Watts

# Instruments & Equipment

## LASER SURGERY

### Asuka Diode Laser DVL-15

**What is the clinical advantage of diode laser?**

#### Comparison with electrocautery.

There are some rather large differences between laser and electrocautery. One of the largest differences is impact to living bodies. In the electrocautery, a body gets shocked significantly at a touch of a monopolar even with the low level of output. In the laser light, the impact is small enough so that it is tolerable without anesthesia when the output level is low. Postoperative pain of laser surgery is smaller than that of electrocautery.

The next point is hemostasis. In the case of electrocautery, sometimes bleeding is found as the blood pressure increase after coming out from anesthesia, though skin suture was performed after confirming the stop of bleeding. On the other hand, bleeding is hardly found when a laser is used. Coagulation surface by laser light is tightly-bounded, compared with a brittle surface produced by electrocautery.

Also, there is difference in cure period of a cut. For example, when electrocautery is used for conization of the cervix in human gynecology, large amounts

of serous fluid and vaginal discharge is observed for a long time. When the laser is used, serous fluid and vaginal discharge are relatively few and it takes shorter time to end them. Pain is also less.

Besides, heat invasion also varies. In animal bodies, when electrocautery is used, heat coagulation is produced quickly and largely since they conduct electricity well. However, heat coagulation which formed by laser with contact approach is smaller; the coagulation layer at the incision site is approx. 0.5mm. Tensioning is needed when the incision by laser beam is performed. There is no risk of muscular contraction in laser surgery.

#### Comparison with CO2 laser.

The main difference is hemostasis effect. With CO2 lasers, it is possible to incise capillaries without bleeding, however, difficult to incise 1mm vessel without bleeding. According to the nature of CO2 laser, it tends to be absorbed by water and it is very difficult to stop bleeding by forming vessel coagulation if there is a large amount of bleeding. A diode laser can incise vessels of 1 or 2mm in diameter with few bleeding, and when use in combination with our Forceps-type Laser Dissector, it is possible to incise and seal one or more vessels at the same time without ligation.

There is difference between non-contact and contact approach. CO2 lasers require skills to focus the laser on a point since manipulating noncontact laser handpieces tends to wobble and animals' move with their respiration make it more difficult. You can use diode lasers with contact approach in the same way as steel scalpels.

CO2 laser system is equipped with articulated arm as CO2 laser light is unable to travel through optical fiber. For this reason, it cannot be used for endoscopic surgery. On the other hand, a diode laser is used for the endoscopic surgery since its laser light travels through silica fiber or glass fiber.

Besides, a diode laser can approach to the site where CO2 laser cannot reach so that it gives wide variations of operative procedures.



# Instruments & Equipment

## LASER SURGERY

### Reaching Farther, Helping Pets with Advanced Technology.

Asuka Diode Laser model DVL-15 is light, space-saving system with the maximum output power of 15W. A nurse can carry it easily from operating theatre to treatment room. Its beautiful design will match the soft atmosphere of your clinic. It will become your partner to support your daily clinical work.

#### Features and Benefits

- Quick and easy operation.
- Portable.
- Output power with 15W.
- Retain two presets of parameter.
- Numerous applications with various accessories.
- Freely Manipulated fiber.
- On/Off Selectable aiming beam.



From the time it is turned on until the time it is turned off, all system functions are controlled by computer.

Output power and irradiation conditions, either continuous or pulsed, irradiation time settings are entered by lightly touching the virtual buttons displayed on the front panel.

The DVL-15 diode laser operates with a variety of accessories such as metal probes, laser dissectors, specialised fibers and more. These accessories have been developed after extensive research in the medical laser field. They enable you to now perform various surgeries and treatments, including those you previously could not attempt.

### Examples of clinical applications with Accessories.

#### With Fiber Scalpel

##### (non-contact approach)

- Irradiation.
- Coagulation.
- Vaporization.

##### (Contact approach)

- Incision.
- Excision.
- Coagulation.
- Vaporization.

#### With Metal Probe Handpieces

- Incision.
- Excision.
- Vaporization.

#### With Forceps-type Laser Dissector

- Dissection.

#### With PLDD Fiber Kit

- Treatment of herniated disc.

#### With Laparoscopy Fiber Kit

- Laparoscopic surgery.



PROVET CODE: LASE D 01

# Instruments & Equipment

## CAGES

### DOUBLE HEIGHT SUPERCAT CAGES

- Each has two shelves; 1 solid shelf and 1 mesh trampoline.
- Standard colour combination: Hawthorne green and cream.
- Optional colour combination: Blue Weave and white.
- **Dimensions** 1900mm high including platform x 750mm W x 750mm D.

**PROVET CODE:** CAGE S C D



easyvet

oxfordeme

### TRIPLE HEIGHT CAT SHACK

Triple Catshack are an attractive and economical option for cat hospitalisation. A single shack construction and powder-coated for hygiene and durability.

- A feature of this cage is a built in cat crush on all 3 levels where a false back can be pulled to the front of the cage.

- **Dimensions** 1910mm H x 750mm W x 650mm D.

**PROVET CODE:** CAGE C ST



# Instruments & Equipment

## CAGES

### STAINLESS STEEL CAGES

- Australian designed and manufactured
- All marine grade 304 Stainless Steel
- Sanitary, easy to clean
- Smooth satin finish
- TIG pulse welded seams, rounded corners
- All cages except medium have standard dividers
- Stainless steel wheels
- No centre pillars, remove and insert dividers while doors closed
- Supplied assembled, ready to use
- All cages supplied with smooth end panels for visible areas
- All cages are 68cm deep; 75cm deep with waste trough
- 7 standard cage sizes available

Cages slope slightly to front for easy drainage

Drains and troughs standard, with built in slope



### ELECTRIC OPERATING TABLE

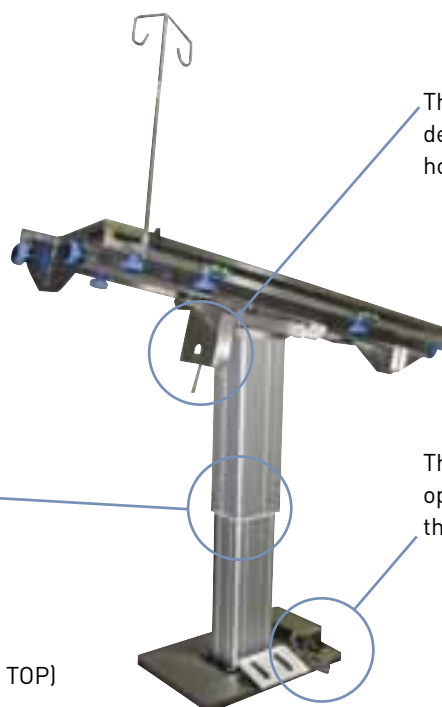
This new sleek, modern and innovative design incorporates the latest technology giving both durability and reliability.

- Can incorporate the flat top assembly or the versatile v top assembly.

Height adjusted from a low 750mm to an amazing 1250mm platform height

The table has a 70 degrees tilt from the horizontal position

The foot switch can be operated attached to the base or a satellite



**PROVET CODE:** OPER T HV (V-TOP) OPER T HF (FLAT TOP)

# Instruments & Equipment

## OPHTHALMOSCOPE & ILLUMINATION HEAD

### Heine Beta 200® Ophthalmoscope

- Unique optical system. Heine optimizes the gullstrand principle with aspherical optics (separation of illumination & observation beam). Corneal and iris reflexes are eliminated. A full view is guaranteed even with small pupils.
- XHL Xenon Halogen Technology. Bright, white light.
- Recessed, multi-coated viewing window. Avoids stray light.
- Dustproof housing. Maintenance free.
- Optics mounted on precision metal chassis which is durable & precise.
- Ergonomic shape. Instrument fits the orbita comfortably in any position.
- Soft orbital support. Protects the users glasses & steadies the instrument.
- 7 apertures with separate red free filter. Suitable for large or small pupils. Incorporates slit aperture, fixation star, cobalt blue filter for improved contrast.
- Lens range has perfect focus even with high refractive errors.



#### 2.5V – PROVET CODE: AURI H 4

- Replacement bulb code: BULB H 5 • For use with standard battery handle.

#### 3.5V – PROVET CODE AURI H 100

- Replacement bulb code: BULB H 070 • For use with rechargeable handle.

### Slit Illumination Head 3.5V

- **Solid metal construction.**  
Long lasting, maintenance-free.
- **Fiber Optic Illumination.**  
Bright, homogeneous light.
- **Multi-coated, scratch resistant swivel lens with 2X magnification.**  
High-resolution image.
- **Slit Head design.**  
Simplifies the use of instrumentation and cleaning.



**PROVET CODE:** AURI H 301

**PRODUCT NUMBER:** G-02.21.301

# Instruments & Equipment

## OTOSCOPES & LIGHTS

### Heine Mini 3000 Otoscope

**Compact pocket otoscope with direct illumination. Modern pocket otoscope in a unique, compact design. Can only be used with the mini 3000 handle.**

- Enhanced XHL Xenon Halogen Technology with 100% more light. Very bright, concentrated white light for perfect illumination.
- Viewing window with 3x magnification and optimized casing surface for razor-sharp images and minimal reflection.
- Swivelling viewing window built into instrument. Useful for instrumentation, cannot be mislaid.
- Attachment clip with integrated on/off switch. Secure. Switches off automatically when returned to the pocket.
- 2-piece handle and head. Easy to maintain, flexible.
- **High-quality handle:** Chrome-finish upper section/ refined plastic. Shockproof, sturdy, non-slip.
- Replaceable batteries. Size AA.
- Mini 3000 otoscope set includes fiber optic otoscope, mini 3000 handle and tips.

**PROVET CODE:** DIAG H 220



### Heine HL 5000 Examination Light

**With an exceptionally-high output of 140 000 lux at a distance of 30cm, the HL 5000 examination light is ideal for examining and recognising small details.**

The flexible gooseneck construction provides a working radius of 120cm. Three versions are available.

- Long-lasting 12V/50W halogen bulb gives 140 000 lux light output at 30cm. Very bright, white light.
- Extremely compact illumination-head. No obstruction of view, ease of handling.
- Three different mounting options: Wall, Table, or Wheeled Stand. Versatile.
- Halogen bulb lasts at least 4000 hours. Economical.
- Additional UV filter. Increased safety during examination.
- Solid construction with high-specification 120 cm radius gooseneck design. Super-wide radius of operation, easy to position, light stays put in any selected position.
- Additional IR-Filter reduces heat. More comfort for the patient and examiner.

**WALL MOUNTING – PROVET CODE:** EXAM L H1.

**WHEELED STAND – PROVET CODE:** EXAM L H2.

**MULTI-PURPOSE CLAMP – PROVET CODE:** EXAM L H3.

